

Standard post **EAP-STABIL-10/AIO-STA-10**



EAP-STABIL-10 has a high base stability, and is therefore ideal as a single anchor point.

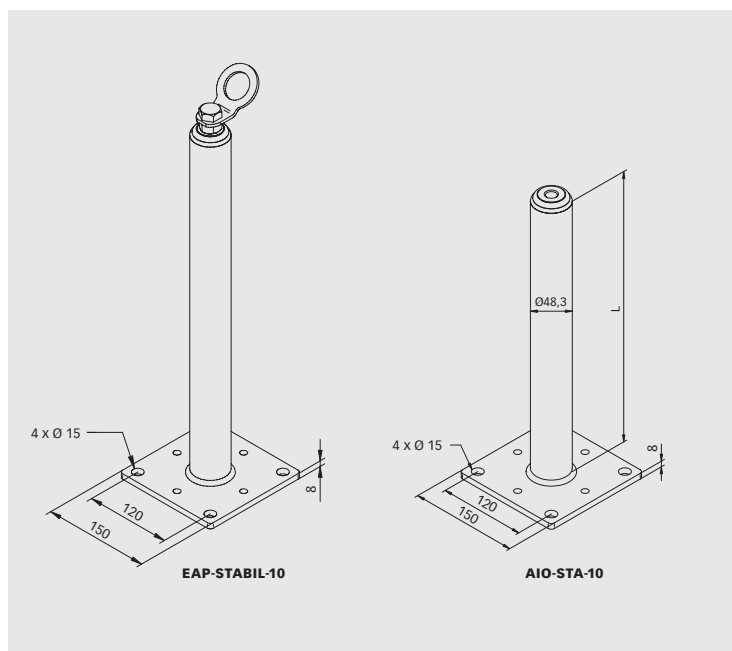
AIO-STA-10 is a component in the INNOTECH lifeline system, and can be installed on very varying substructures.

- anchorage point for personal safety, fastening point for INNOTECH lifeline and rail systems
- optimum as end and corner point for INNOTECH lifeline systems
- suitable for abseiling in combination with EAP-ABP-10-30
- low force inlet, thanks to combination of plastic deformation capability with high base stability
- to the latest state of the art certification:

EN 795:2012 TYPE A and C

CEN/TS 16415:2013

DIBt general building industry approval



EAP-STABIL-10 / AIO-STA-10

Post heights: 300 / 400 / 500 / 600 mm, Ø 48 mm

Base plate dimensions: 150 x 150 x 8 mm

Material: galvanised steel / stainless steel [AISI 304]





TRAPEZOIDAL SHEETING Λ

BEF-303
TRAPEZOIDAL SUPPORTING SHEET, FASTENING FRAME
Material: galvanised steel
Dimensions: 840 x 840 x 40 mm
Sheet metal thickness: min. 0.6 mm

for metal optimal load distribution
varied on trapezoidal supporting sheet
widely usability

different possibilities to combine
with BEF-303-1 or BEF-303-3

CONCRETE ■

BEF-104
CONCRETE (min. C20/25) – cracked and uncracked
Material: stainless steel (AISI 316)
Package: 4x (FISCHER FAZ II 12/10 A4 anchor bolts)
drill depth min. 105 (Ø 12 mm)

STEEL CONSTRUCTION I

BEF-401-10
STEEL CONSTRUCTION, COUNTER PLATE (150 x 150 x 8 mm)
Material: galvanised steel
Max. width of steel construction: 105 mm

ADHESIVE ANCHOR
4x M12 threaded rod
4x M10 washer
4x M12 locknut or
4x nut with spring-lock washer
Penetration depth: at least 100 mm
Injection mortar: FISCHER FIS SB 390 S
Hilti HY 200

BEF-403
STEEL CONSTRUCTION, COUNTER PLATE (140 x 20 x 10 mm)
Material: galvanised steel
Packing unit: 2 pieces
Max. width of steel construction: 105 mm

TIMBER CONSTRUCTION ▨

BEF-201
WOOD – TIMBER RAFTER (min. 16 x 16 cm)
Material: galvanised steel
Package: 8x wood screws (8 x 140 mm)
8x washers (coniform)

Minimum penetration into load-bearing wooden construction: 100 mm!

BEF-412
STEEL CONSTRUCTION, CLAMPING CONSOLE
Material: galvanised steel
Flange thickness: 10 to 40 mm
Width of steel beam: 125 up to 415 mm

BEF-203
WOOD – STEEP ROOF, TIMBER RAFTER (min. 8 x 10 cm)
Material: galvanised steel
Package: 1x steep roof fastening bar (1250 x 195 x 35 mm)
8x wood screws (8 x 220 mm) (includes fastening accessories for post installation)

Minimum penetration into static load-bearing wooden construction: 90 mm!

STEEL BOLTS
4x steel bolt M12, steel quality ≥ 5.6
4x M12 locknut or
4x nut with spring-lock washer

Use suitable washers on the 4 corner bores.

BEF-206
WOOD – RIDGE ATTACHMENT, TIMBER RAFTER (min. 8 x 8 cm)
Material: galvanised steel

Wood cross-section of load-bearing wood min. 80x80 mm, strength of panelling 20 mm.
Minimum penetration depth into the static load-bearing wooden construction: 80 mm!

WELDING
Weld seam min A5 and 80 mm length for each base plate

Before welding, remove powder coating and zinc coating correctly

BEF-403
STEEL CONSTRUCTION, COUNTER PLATE (140 x 20 x 10 mm)
Material: galvanised steel
Packing unit: 2 pieces
Max. width of steel construction: 105 mm