








Lanyard BRAKE

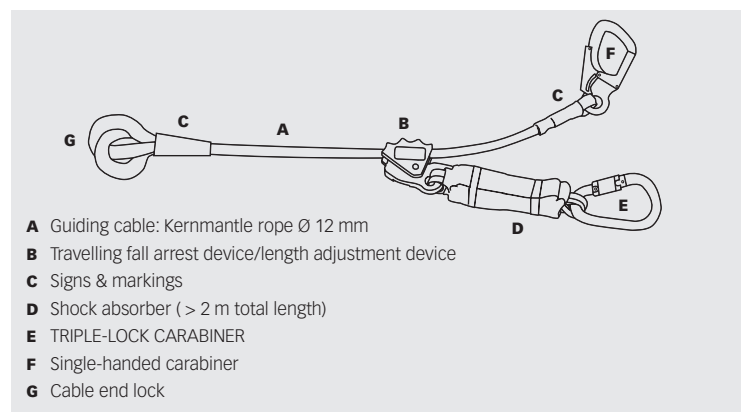


The user-friendly BRAKE lanyard from INNOTECH® was developed for the most varied functions: It works as a restraint system or is suitable for workplace positioning. In addition, it can be used as a lanyard or as a temporary horizontal lifeline system. The robust kernmantle rope is flexibly adjustable lengthways and has a shock absorber.

A high-quality TRIPLE-LOCK carabiner completes the safety package and significantly minimises the risk for the user – by means of automatic buckles!

-  kernmantle rope with length adjustment device including shock absorber
-  can be used as fall arrest system, restraint system, positioning system and lanyard
-  can also be used as temporary lifeline system
-  long working life of 10 years
-  certification to the latest state of the art:

EN 795:2012 TYPE B and C,
EN 354:2010, EN 358:2000,
EN 353-2:2002, CEN/TS 16415:2013



PSA-BRAKE

KERNMANTLE ROPE (Ø 12 mm) with travelling fall arrest device (EN 353-2 / EN 354 / EN 358 / EN 795)

Lengths: 2 / 5 / 10 / 15 / 20 / 25 m

PSA-BRAKE-2 without integrated shock absorber for:

- Restraint system (EN 354)
- Positioning system (EN 358)

from PSA-BRAKE-5 with integrated shock absorber for:

- Fall arrest system/restraint system (EN 353-2)
- Positioning system (EN 358)
- Temporary horizontal lifeline system (EN 795)