






Single anchor point **EAP-SLING-10**

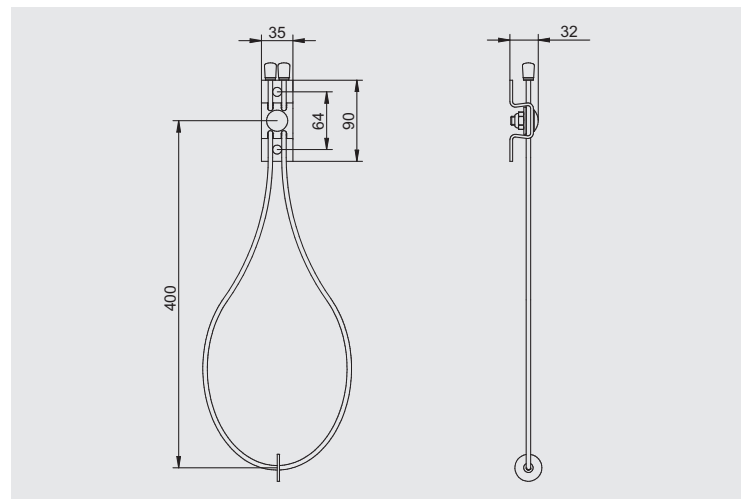


EAP-SLING-10 is ideal as a single anchor point for steep roofs.

The **EAP-SLING-10** anchor point by **INNOTECH** requires only small timber dimensions and with its unobtrusive look is ideally integrated into the building design. The **EAP-SLING-10** interferes very little with the structural conditions and is therefore specially suitable for listed buildings. The easy fastening options save time installing the product.

-  Single anchor point for steep roofs.
-  Ideal integration with the building design – especially for listed buildings
-  Quick installation without special tools
-  Different sling length possible upon request
-  Certification to the latest state of the art:

EN 795:2012 TYPE A & TYPE B



EAP-SLING-10

SINGLE ANCHOR POINT FOR STEEP ROOFS (EN 795 A)

Substructure: Wood (at least 10/12 cm + at least 20 mm wooden formwork)

Cable diameter: Ø 5 mm, stainless steel (AISI 304)

Sling length: 400 mm

Material: galvanised steel , stainless steel (AISI 304)

Minimum penetration depth into the static load-bearing construction: 100 mm or 80 mm!

Include suitable wood screws in your order, depending on the roof design!
(screw Ø 8 mm, length = 100 to 400 mm)