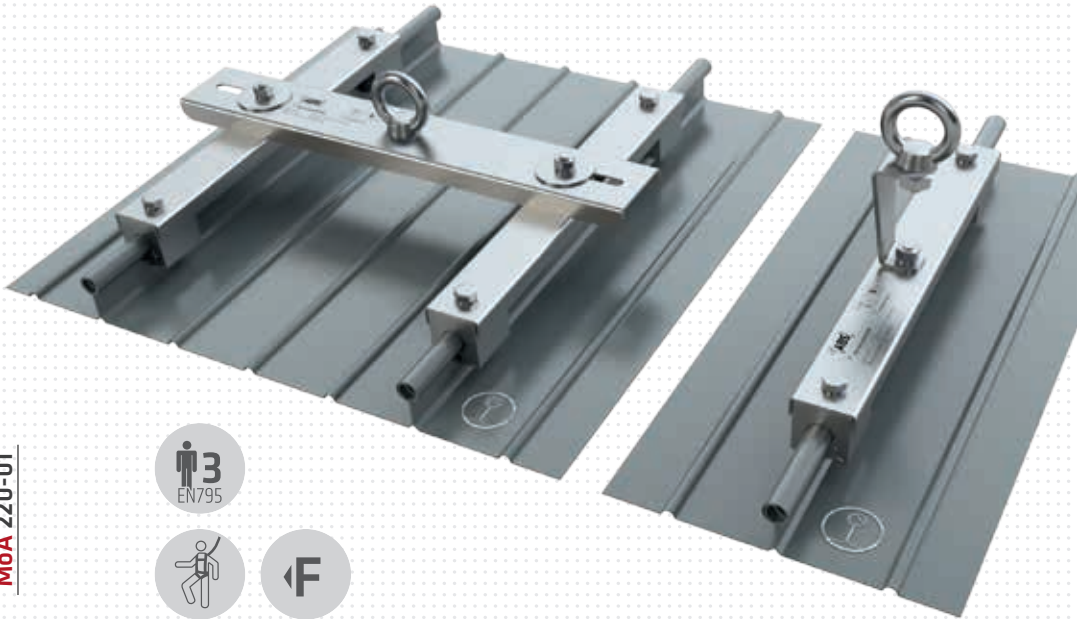


# ABS-Lock® FALZ IV-RB

PF-4-RB-450/660 • PF-4-RB-ZW



MoA 220-01





## Inhalt | Content



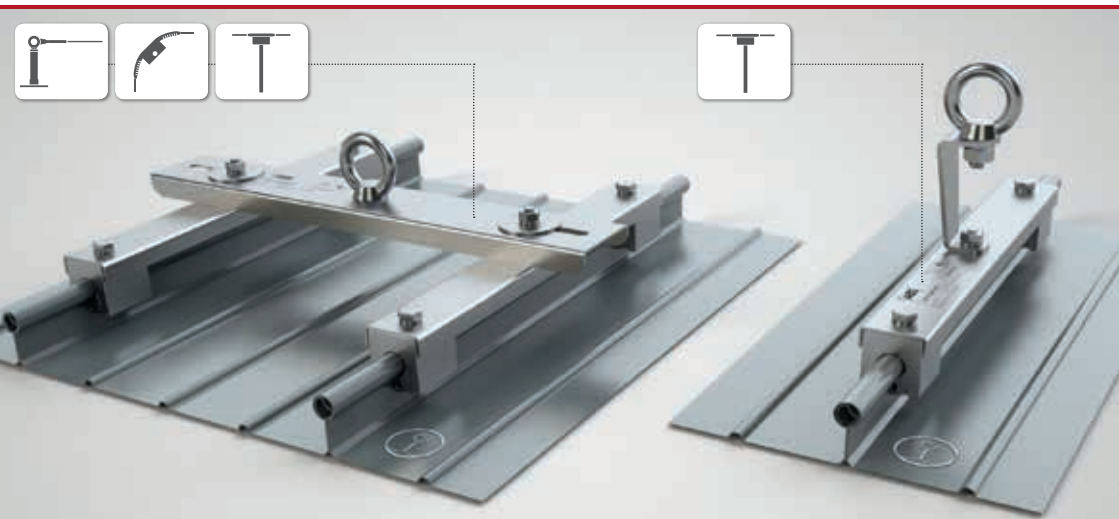
04

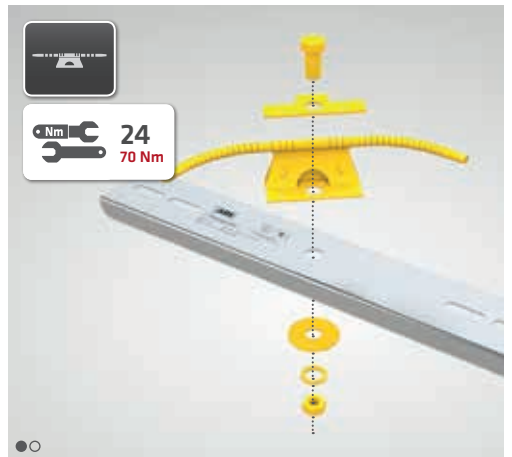
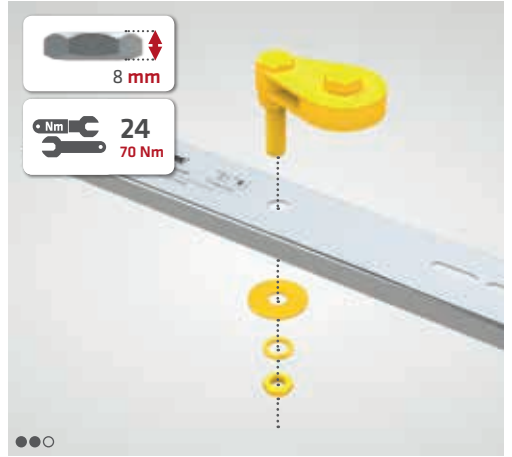
ABS-Lock Falz IV-RB

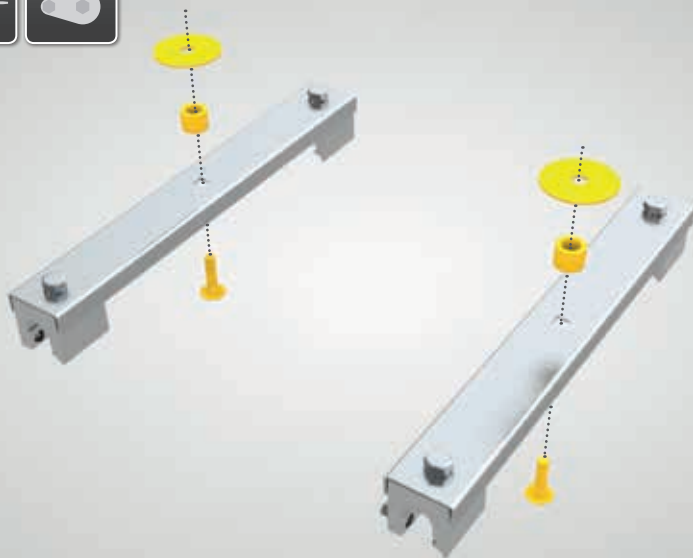


09

Zwischenhalter /  
Intermediate bracket



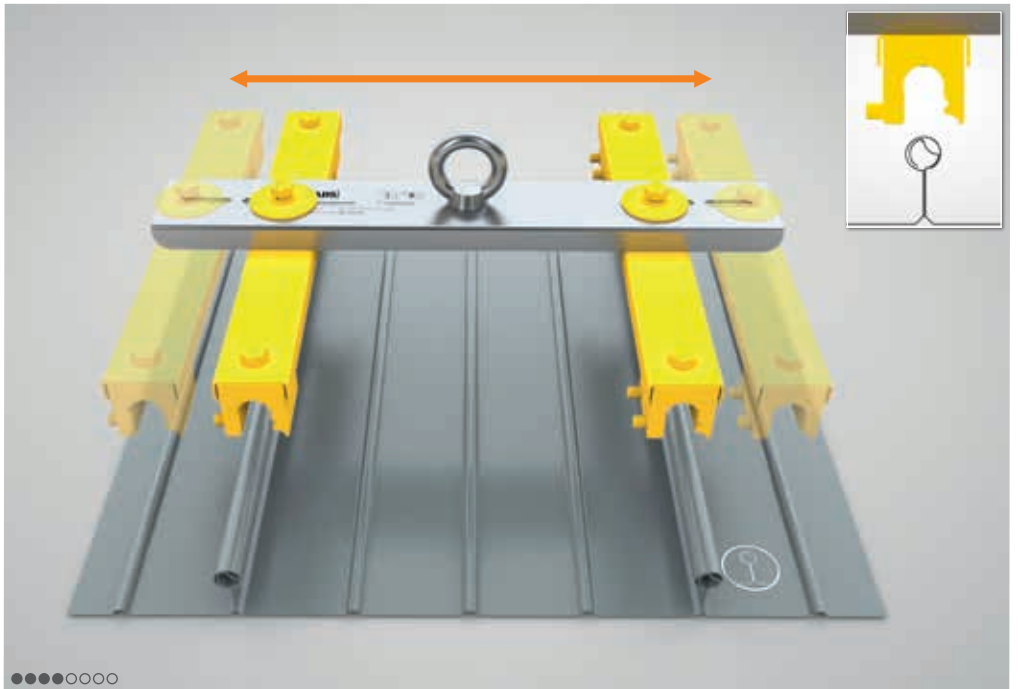
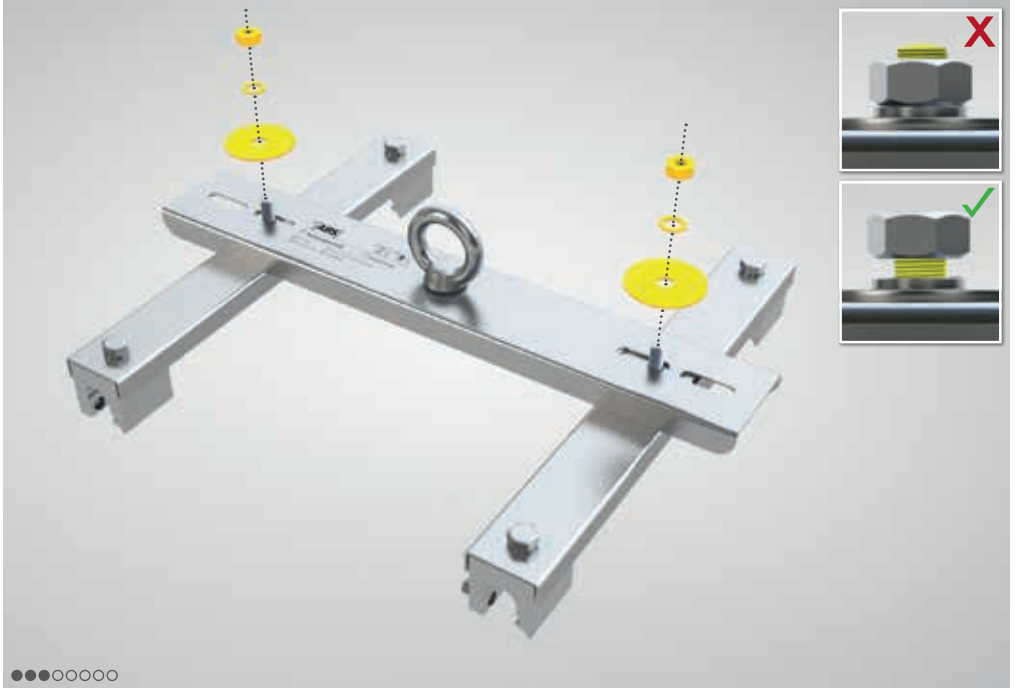


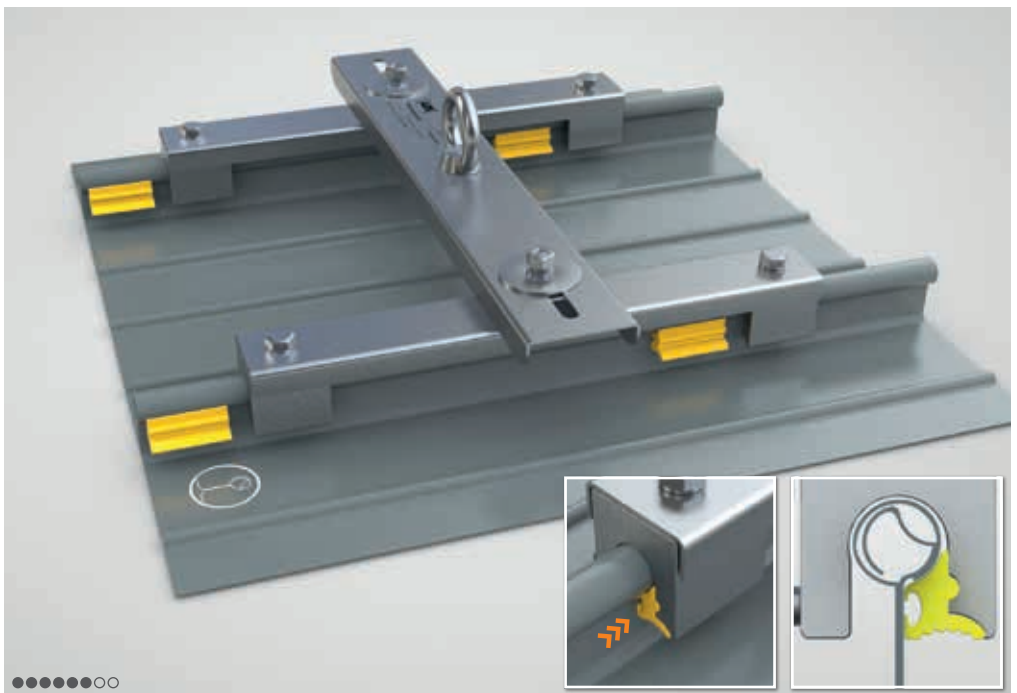
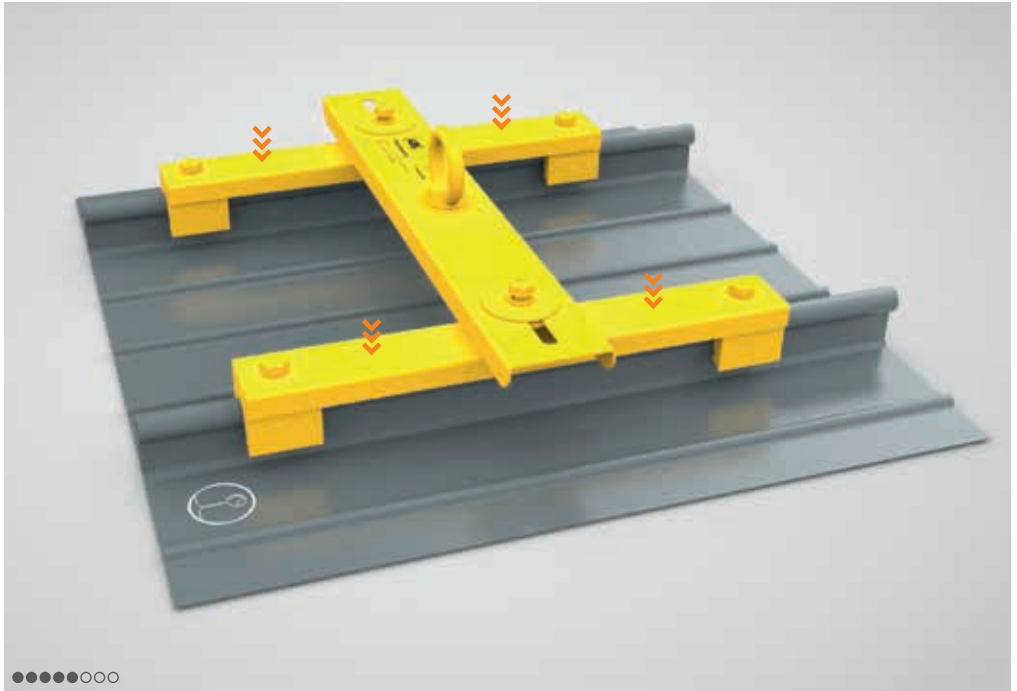


●○○○○○○○



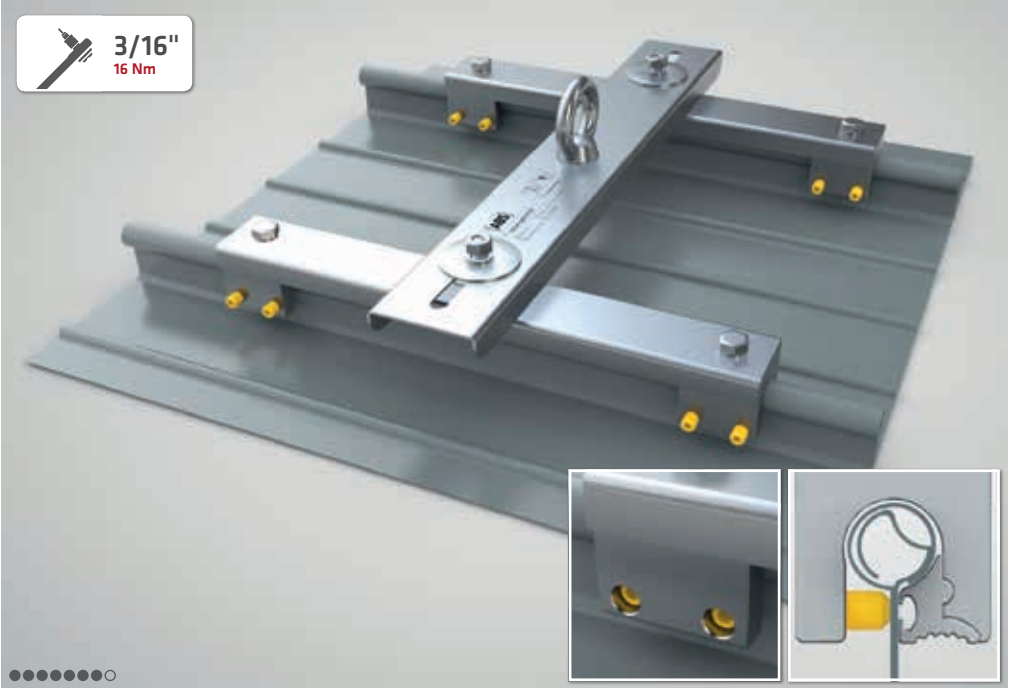
●●○○○○○○○



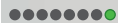
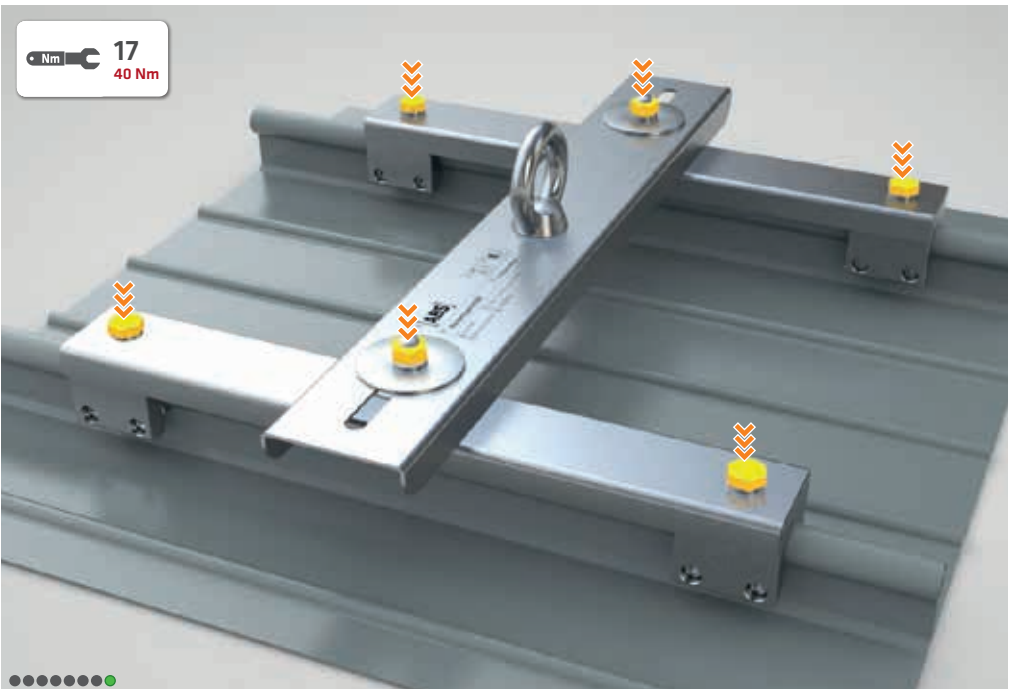




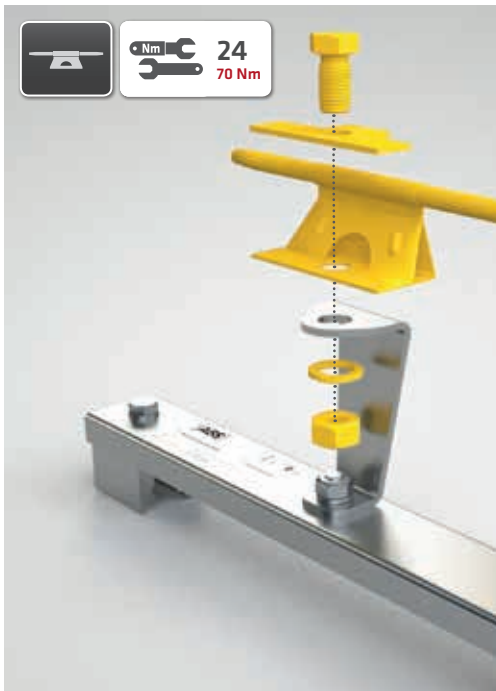
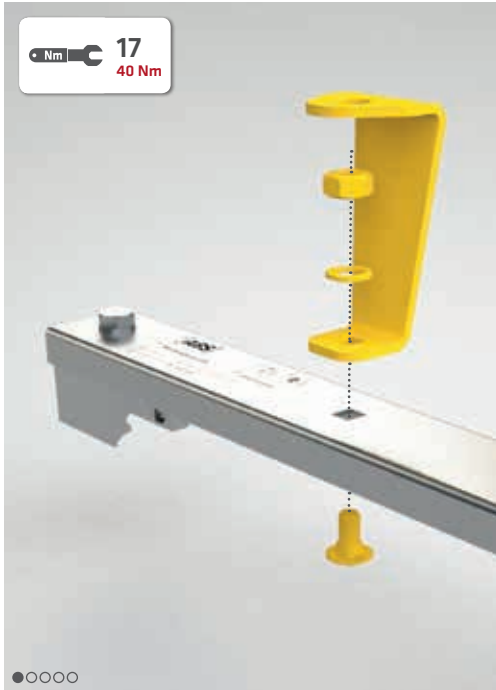
 **3/16"**  
**16 Nm**

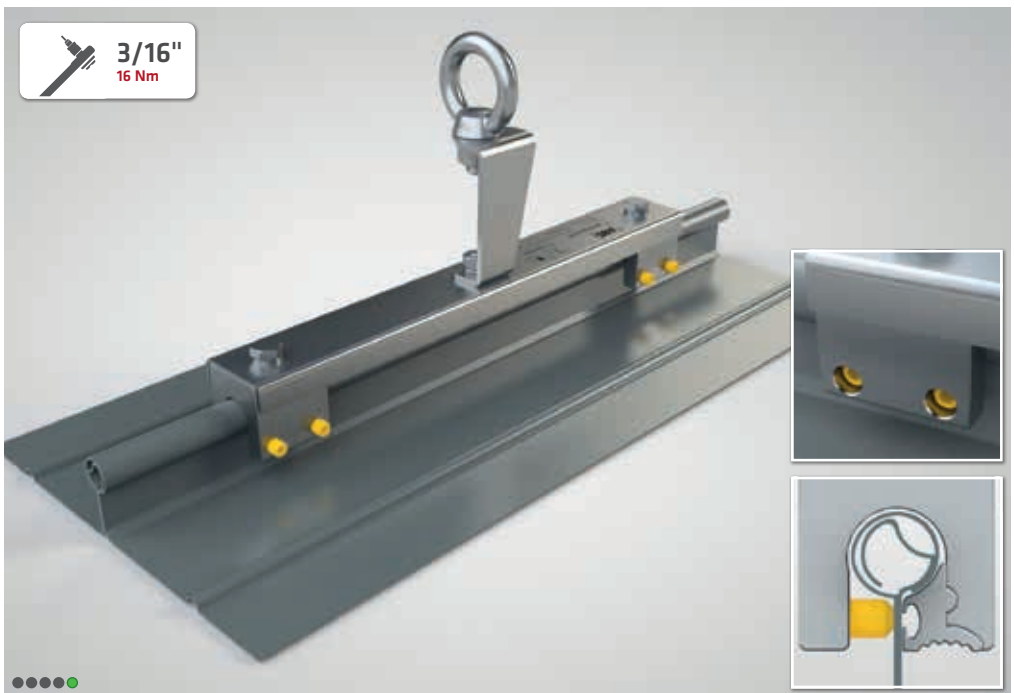
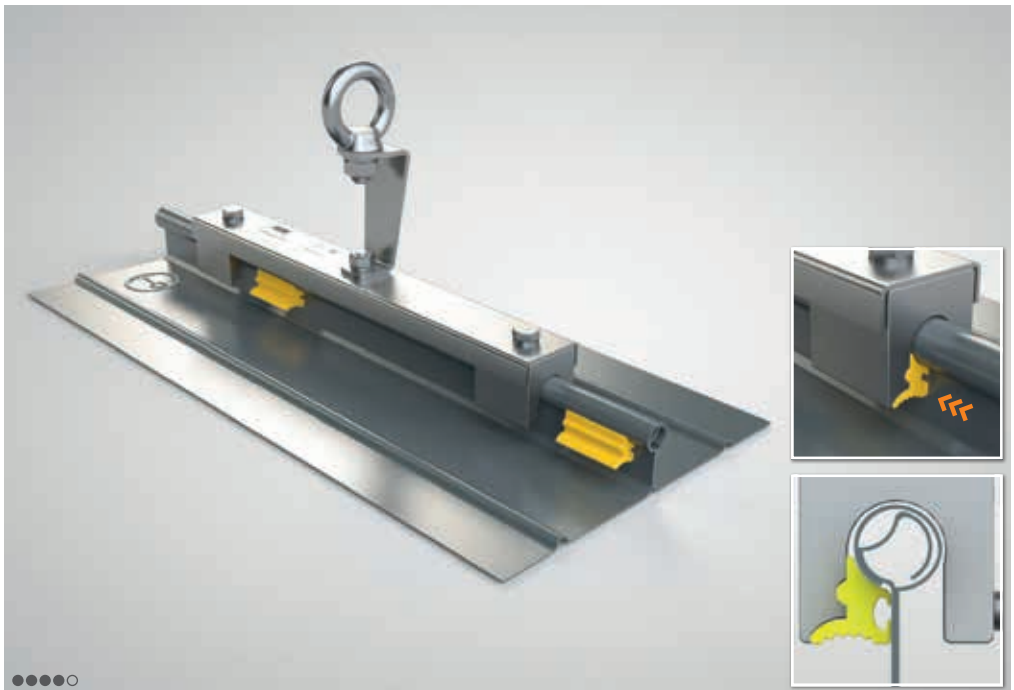


**17**  
**40 Nm**

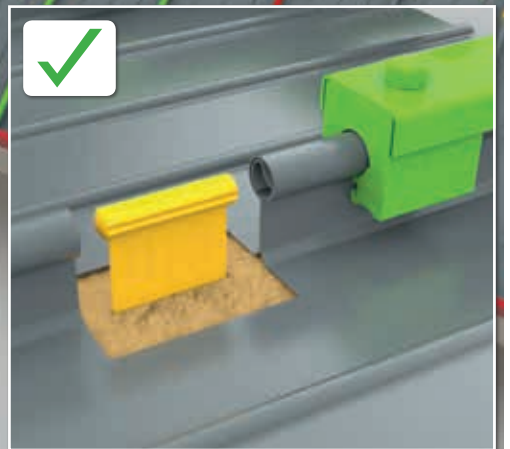
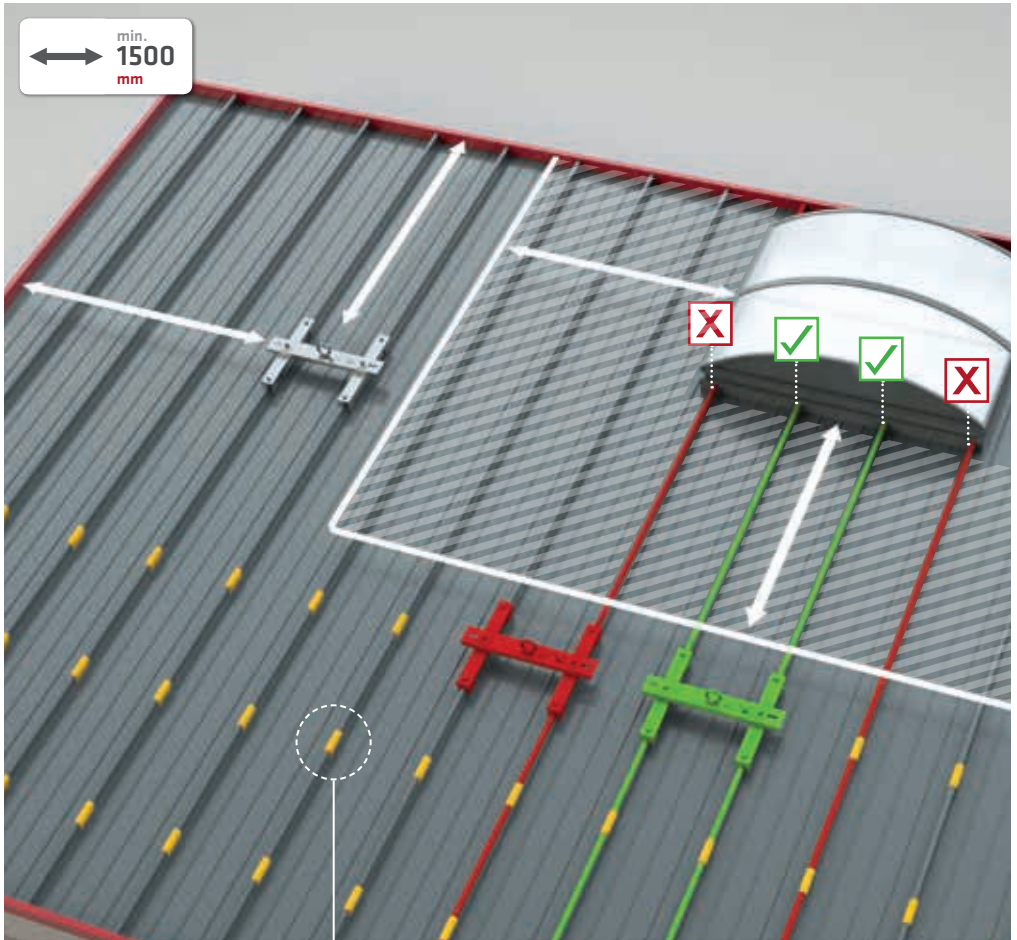








min.  
**1500**  
mm



ALWAYS ON TOP!

## **ABS Safety GmbH**

Gewerbering 3  
D-47623 Kevelaer  
Germany

Tel.: +49 (0) 28 32 - 972 81 - 0  
Fax: +49 (0) 28 32 - 972 81 - 29

[info@absturzschutz.de](mailto:info@absturzschutz.de)

[www.absturzschutz.de](http://www.absturzschutz.de)  
[www.protection-anti-chute.fr](http://www.protection-anti-chute.fr)  
[www.fall-arrest.eu](http://www.fall-arrest.eu)

AP 2, Januar 2017



[youtube.com/abssafetygmbh](https://youtube.com/abssafetygmbh)



[facebook.com/ABS.Safety](https://facebook.com/ABS.Safety)